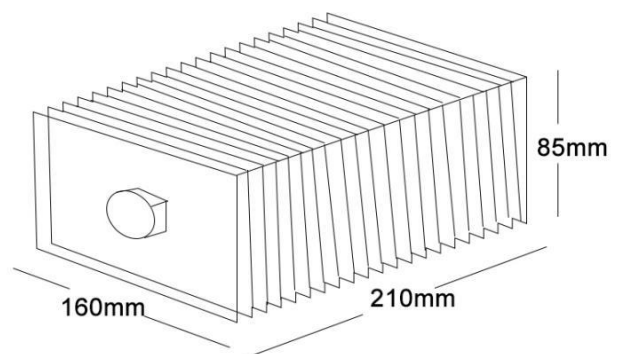


DC-3GHz / 4GHz 200W 4.3-10DIN Male RF Dummy Load

RF Dummy load are used in a wide variety of measurement systems. Any port of a multi-port microwave device that is not involved in the measurement should be terminated in its characteristic impedance in order to ensure an accurate measurement. Terminations are also used in devices such as directional couplers and isolators.

Technical Data Sheet

Frequency Range	DC - 3GHz / 4GHz
Connectors	4.3-10 DIN Male
Body Material and Plating	Black Anodized Aluminum Heatsink
VSWR	3G: ≤ 1.2 4G: ≤ 1.25
Power	200W
Impedance	50 Ω
Temperature Range	-55°C ~ +125°C
Dimensions	210*160*85mm
Weight	2.8Kg



Tolerance: $\pm 2\%$