

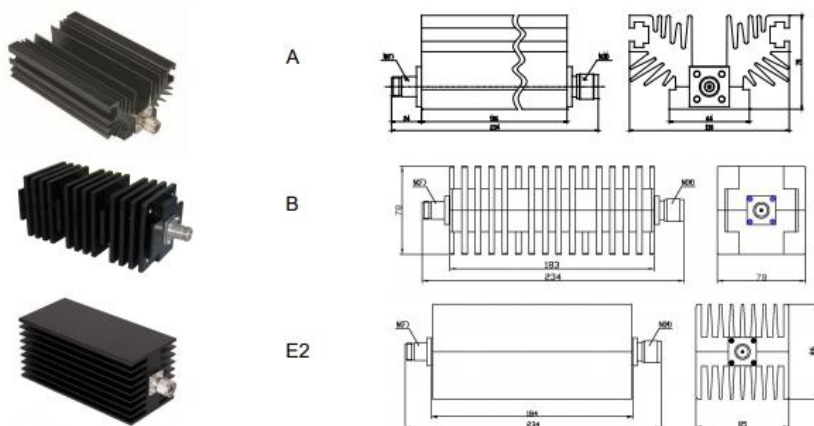
200W DC-10GHz RF Attenuator

Coaxial fixed attenuators are used in absorbing energy of transmission line, expanding power range and controlling power level, they are also used in accurately measuring power or spectrum of RF microwave transmitters accompany with small power meter, comprehensive tester or spectrum analyzer.

Technical Data Sheet

Frequency Range	DC~10GHz
Connectors	N,7/16 (DC-4GHz)
Body Material and Plating	Aluminum, Black Anodize
Power	200W
Peak Power	5KW ((5μs pulse width, 4% duty circle)
Impedance	50Ω
Temperature Range	-55°C ~ +125°C
Dimensions	A:234×130×75mm; B:234×78×78mm; E2:234×85×86mm
Weight	A:2.2Kg; B:2.3Kg; E2:2.2Kg

Model Number	Frequency Range(GHz)	Attenuation Value & Accuracy (dB)				Max VSWR
		10	20	30	40	
WDTS200-XX-2.5	DC-2.5	±0.8	±0.5	±0.5	±0.5	1.15
WDTS200-XX-4	DC-4	±1.0	±0.5	±0.5	±0.5	1.25
WDTS200-XX-6	DC-6	/	±0.6	±0.6	±0.6	1.30
WDTS200-XX-8	DC-8	/	±1.0	±0.75	±0.75	1.35
WDTS200-XX-10	DC-10	/	/	±1.0	±1.0	1.45



Tolerance: ±5%