

# Termination Load Technology Manual

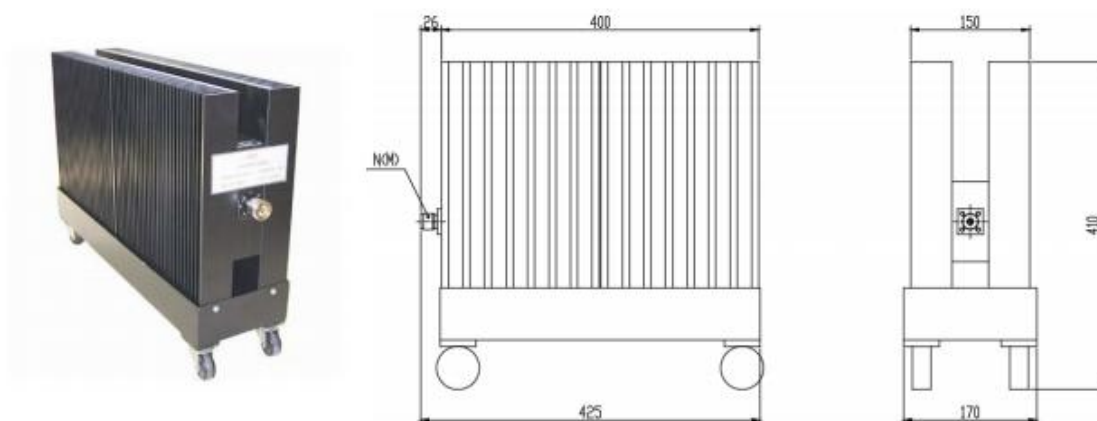
1. **Model:** BC-TE1000-01

2. **Product Name:** RF Termination Load

3. **Description:**

Frequency	DC~1GHz/2GHz/ 3GHz /4GHz
Connector	N / 7/16 / L27
VSWR	$\leq 1.2 / 1.25 / 1.4 / 1.5$
Average Power	1000W average to 25°C ambient temperature, derated linearly to 100W @ 125°C
Peak Power	10KW (5 $\mu$ s pulse width with 10% duty cycle)
Cooling Method	Forced Draft
Impedance	50 $\Omega$
Temperature Range	-55°C ~ +125°C
Dimensions	425×170×410mm
Weight	20Kg

4. **Picture:**



Tolerance:  $\pm 2\%$