

# Attenuator

## Technology Manual

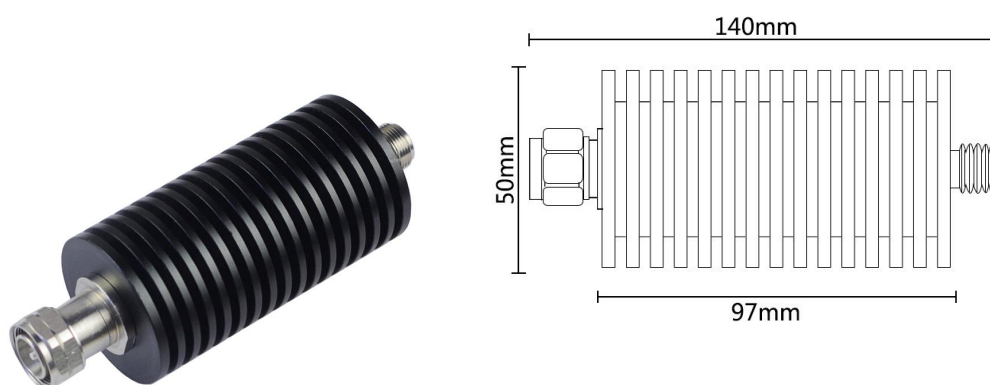
1. **Model:** BC-AT50-04

2. **Product Name:** RF Coaxial Attenuator

3. **Description:**

Frequency	DC~3GHz/4GHz
Connector	DIN-J/N-K
VSWR	$\leq 1.2$
Power	50W
Impedance	50 $\Omega$
Attenuation value	1-50dB
Attenuation	1, 3, 5, 6, 10, 15, 20, 30, 40, 50dB is available 1-10dB. $\pm 0.5$ dB, 15-30dB $\pm 1$ dB 40-50dB $\pm 2$
Temperature Range	-55 $^{\circ}$ C ~ +125 $^{\circ}$ C

4. **Picture:**



Tolerance:  $\pm 2\%$