

Termination Load

Technology Manual

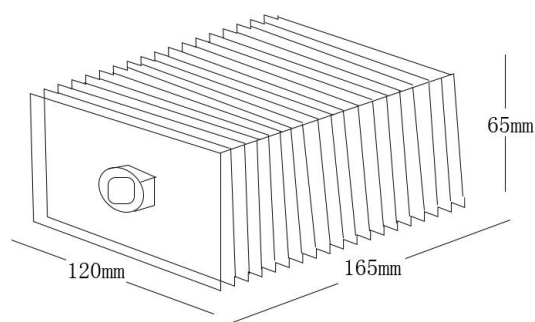
1. **Model:** BC-TE100-04

2. **Product Name:** RF Termination Load

3. Description:

Frequency	DC~3GHz
Connector	N-Male
VSWR	≤ 1.2
Power	100W
Impedance	50 Ω
Temperature Range	-55 $^{\circ}$ C ~ +125 $^{\circ}$ C

4. Picture:



Tolerance: $\pm 2\%$