

Termination Load Technology Manual

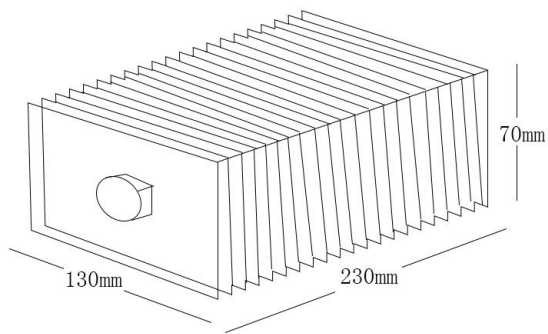
1. **Model:**BC-TE200-02

2. **Product Name:** RF Termination Load

3. Description:

Frequency	DC~3GHz
Connector	DIN-male
VSWR	≤ 1.2
Power	200W
Impedance	50 Ω
Temperature Range	-55 $^{\circ}$ C ~ +125 $^{\circ}$ C

4. Picture :



Tolerance : $\pm 2\%$