

# DC BLOCKS

## Technology Manual

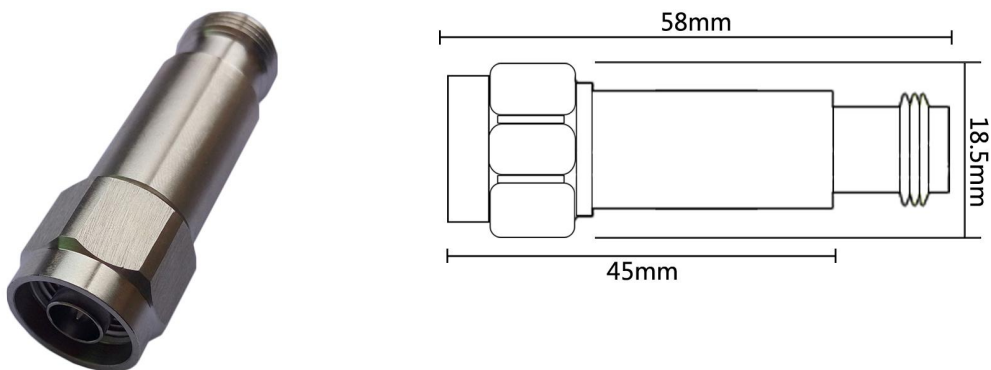
1. **Model:** BC-BL02-02

2. **Product Name:** DC BLOCKS

3. **Description:**

Frequency	DC~6GHz
Connector	N-JK
VSWR	$\leq 1.2$
Power	2W
Impedance	50 $\Omega$
Voltage	50V
Insertion loss	$\leq 1$
Tolerance	$\pm 2\%$ Max
Temperature Range	-55 $^{\circ}$ C ~ +125 $^{\circ}$ C

4. **Picture :**



Tolerance :  $\pm 2\%$