

Attenuator

Technology Manual

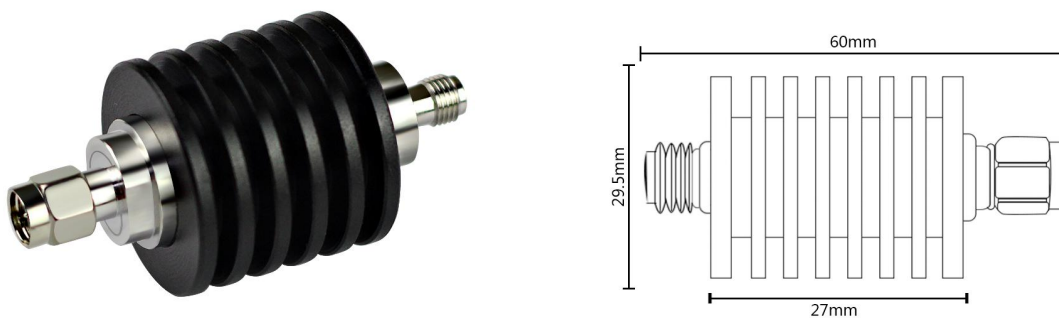
1. Model: BC-AT10-02

2. Product Name: RF Coaxial Attenuator 同轴固定衰减器

3. Description:

Frequency	DC~3GHz/4GHz
Connecto	SMA-JK
VSWR	≤1.2
Power	10W
Impedance	50Ω
Attenuation value	1-40dB
Attenuation	1, 3, 5, 6, 10, 15, 20, 30dB is available 1-10dB.±0.5dB,15-40dB±1dB
Temperature Range	-55℃ ~ +125℃

4. Picture :



Tolerance : ±2%