

Attenuator

Technology Manual

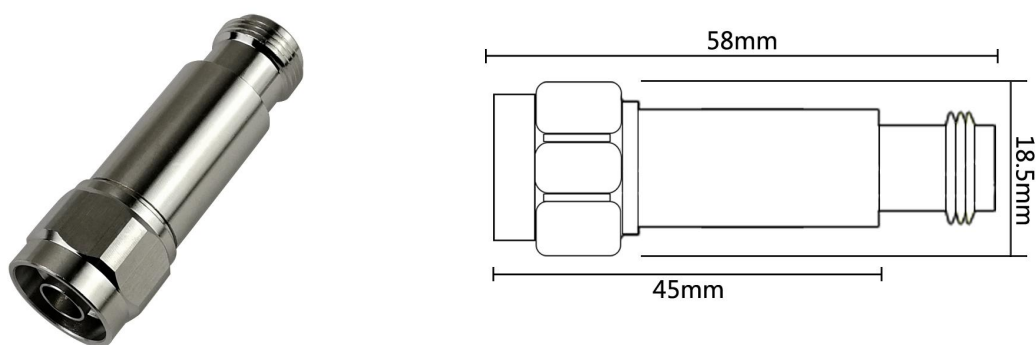
1. **Model:** BC-AT02-04

2. **Product Name:** RF Coaxial Attenuator

3. **Description:**

| | |
|-------------------|---|
| Frequency | DC~3GHz |
| Connector | N-JK |
| VSWR | ≤ 1.2 |
| Power | 2W |
| Impedance | 50 Ω |
| Attenuation value | 1-30dB |
| Attenuation | 1, 3, 5, 6, 10, 15, 20, 40dB is available 1-10dB. ± 0.5 dB, 15-40dB ± 1 dB |
| Temperature Range | -55 $^{\circ}$ C ~ +125 $^{\circ}$ C |

4. **Picture :**



Tolerance : $\pm 2\%$